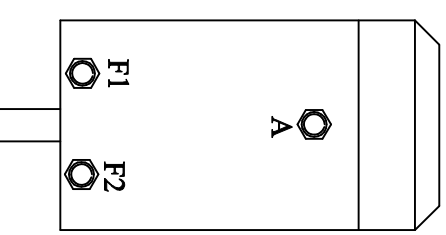


NB. Some motors are not marked
It is advisable to check correct motor function before hard wiring contactor.



Note this contactor is IP66 Rated.
Note can be mounted Vertically or Horizontally
If mounted Vertically terminals must point upwards

Terminals A,B,C & D should be tightened to a torque of 8 to 9.5Nm

Albright : Motor

Terminal A: A

Terminal B: F1

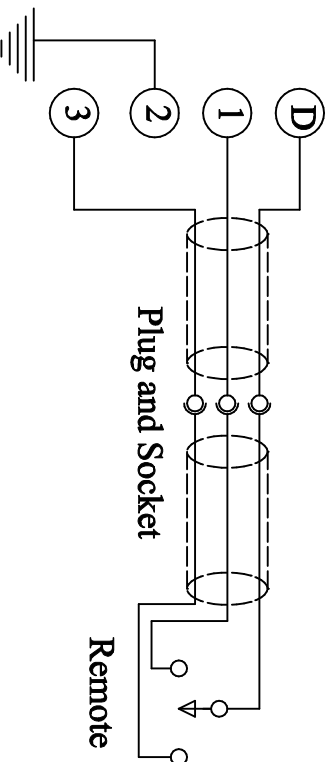
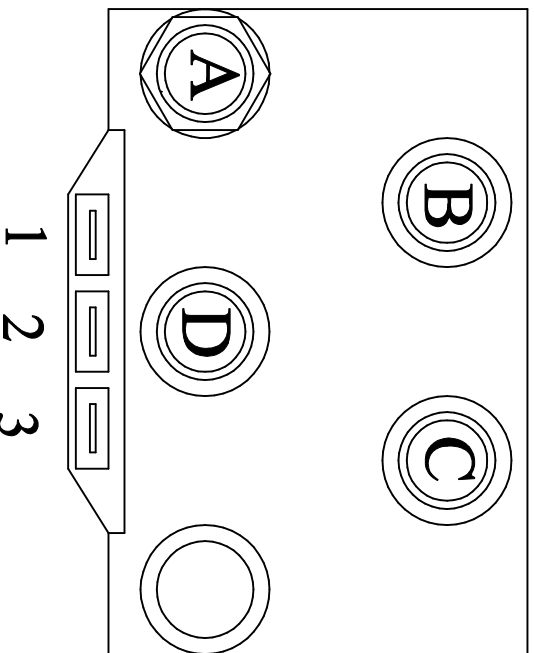
Terminal C: F2

Terminal D: +VE. Power supply switched 400A

Terminal 1: Direction 1 switched +ve

Terminal 2: Ground (-ve)

Terminal 3: Direction 2 switched +ve



To check for correct motor function
NB. Motor case must be grounded to -ve
Short A to F2. +ve to F1 motor Reverse
Short A to F1. +ve to F2 motor Forward

Revisions

Rev.1 Motor drawing added. 20/1/05
Rev.2 Terminal annotation modified 20/1/05
Rev.3 Remote schematic added 20/1/05

Date : 24 Nov 2004

Mill Services

DC88 - 499PL Conections

Tel: 01948 710 747